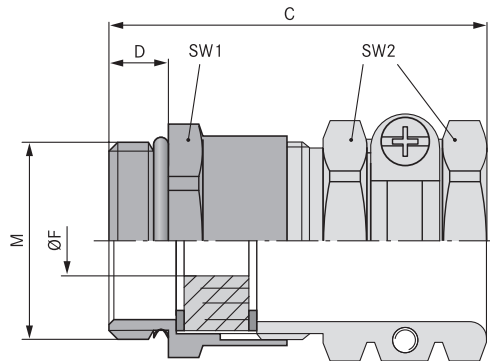


**SKINDICHT® SHZ-M**



SKINDICHT® SHZ-M

**Benefits**

- Incised sealing ring can be adjusted to clamp several cable diameters
- High strain relief
- Robust
- For cables with large outer diameters

**Application range**

- Compact brass cable gland for reliable strain relief, solid, for large cable diameters.

**Approvals (Norm references)**



**Design**

- Metric connection thread acc. to EN 50262

**Note**

- SKINDICHT® SHZ-M-XL is similar to the SKINDICHT® SHZ-M, but has an extended connection thread for thick walls
- For additional accessories see SKINDICHT® EV
- Counter nut to be used SKINDICHT® SM-M

**Technical data**

- Caution**  
Installation dimensions see Appendix T21
- On request**  
Available with Viton® incised ring and Viton® O-ring
- Material**  
Body: Nickel plated brass  
Seal: CR/NBR  
O-ring: NBR
- Degree of protection**  
IP 55
- Range of temperature**  
-20°C up to +80°C

Part number	Part designation / size	ØF mm	Max. fitting size for installation in mm	Function thread PG	SW1 / SW2 mm	Overall length C mm	Thread length D mm	Pieces / PU
<b>SKINDICHT® SHZ-M</b>								
52106700	12 x 1,5	5.5 - 6.5	21	7	14 / 15	30.0	5.0	50
52106710	16 x 1,5	5.0 - 8.0	25	9	18 / 17	33.0	5.0	50
52106720	20 x 1,5	8.0 - 12.0	28	11	22 / 20	35.0	6.0	25
52106730	20 x 1,5	8.5 - 13.0	32	13.5	22 / 22	39.5	6.0	25
52106740	20 x 1,5	8.0 - 15.0	35	16	24 / 24	41.5	6.0	25
52106750	25 x 1,5	14.0 - 19.3	46	21	30 / 30	47.0	7.0	25
52106760	32 x 1,5	19.0 - 27.0	58	29	40 / 41	53.0	8.0	10
52106770	40 x 1,5	27.0 - 34.0	70	36	50 / 50	60.0	8.0	10
52106780	50 x 1,5	35.0 - 43.0	78	42	57 / 57	65.0	9.0	5
52106790	63 x 1,5	40.0 - 47.5	86	48	66 / 64	68.0	10.0	5
<b>SKINDICHT® SHZ-M-XL</b>								
52106705	12 x 1,5	5.5 - 6.5	21	7	14 / 15	35.0	10.0	50
52106715	16 x 1,5	5.0 - 8.0	25	9	18 / 17	38.0	10.0	50
52106725	20 x 1,5	8.0 - 12.0	28	11	22 / 20	39.0	10.0	25
52106735	20 x 1,5	8.5 - 13.0	32	13.5	22 / 22	43.5	10.0	25
52106745	20 x 1,5	8.0 - 15.0	35	16	24 / 24	45.5	10.0	25
52106755	25 x 1,5	14.0 - 19.3	46	21	30 / 30	51.0	11.0	25
52106765	32 x 1,5	19.0 - 27.0	58	29	40 / 41	58.0	13.0	10
52106775	40 x 1,5	27.0 - 34.0	70	36	50 / 50	67.0	13.0	10
52106785	50 x 1,5	35.0 - 43.0	78	42	57 / 57	70.0	14.0	5
52106795	63 x 1,5	40.0 - 47.5	86	48	66 / 64	73.0	14.0	5

Viton® is a registered trademark of DuPont de Nemours